

CATALOGO DELLE PARTI DI RICAMBIO
IMPIANTI ELETTRICI

SPARE PARTS CATALOGUE
ELECTRIC PLANT

CATALOGUE DE PIECE DETACHEES
INSTALLATION ELECTRIQUE

ERSATZTEILKATALOG
SCHALTPLAN

CATÁLOGO DE REPUESTOS
INSTALACIÓN ELECTRICA

SG135

SG230

SG350

SG600

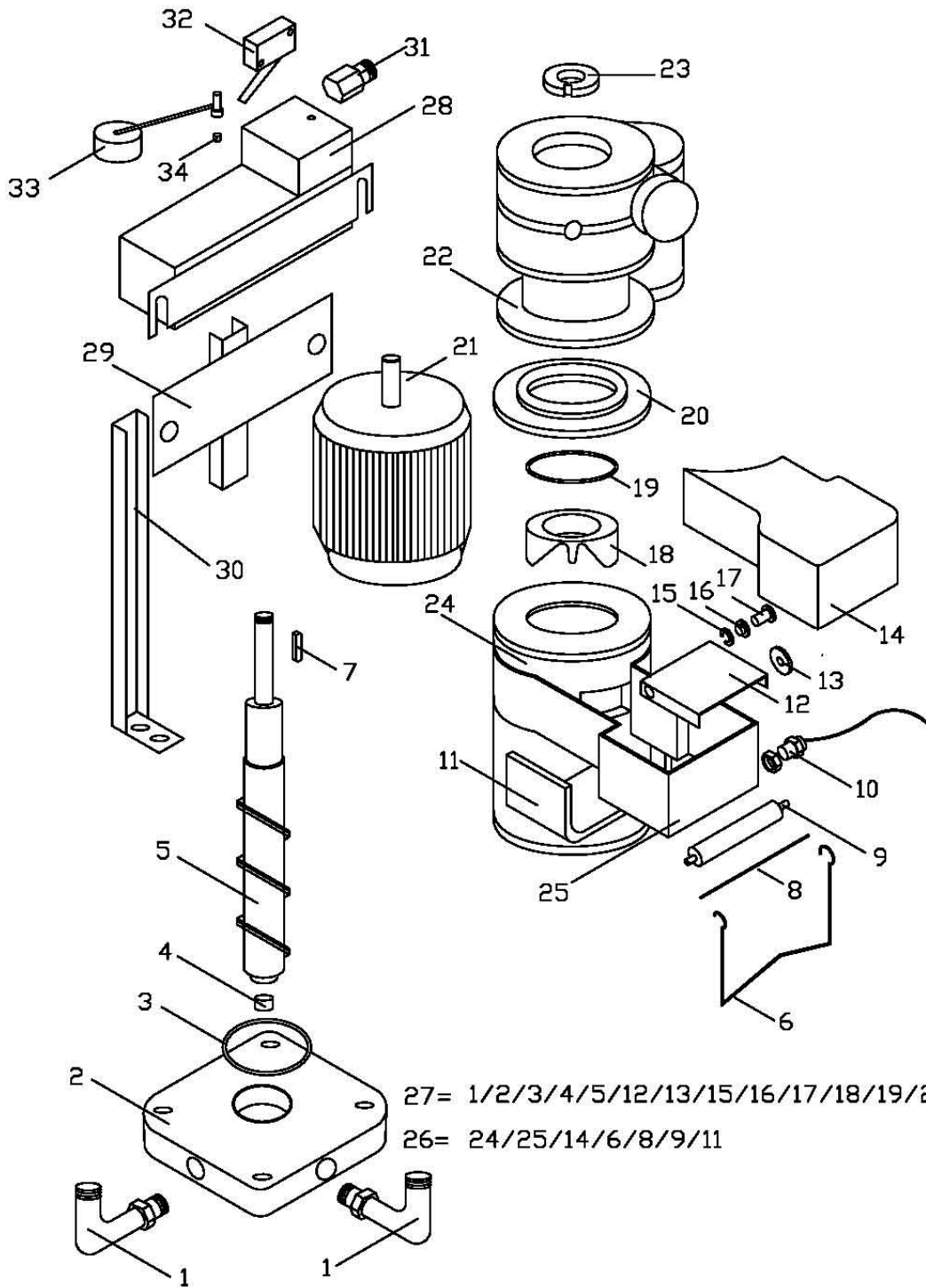
SG1100

COD.8000116600

TAV.1

POS.	COD.	Denominazione	Denomination	Denominacion	Bezeichnung	Denomination
1	4041301500	Portagomma	Hose fitting	embout	Gummihalterung	Portatubo
2	9050360000	Base evaporatore	Evaporator base	Base évaporateur	Untergestell Verdampfer	Base del evaporador
3	2010061500	O Ring 3175	O Ring	O Ring	O Ring	Anillo tórico
4	9050412000	Boccola Coclea	Bush endless screw	Douille vis sans fin	Schneckenbüchse	Casquillo del tornillo sin fin
5	9050402000	Coclea SB90 135 155	Endless screw	Vis sans fin	Schnecke	Tornillo sin fin
6	2006017000	Molla	Spring	Ressort	Feder	Muelle
7	2004040000	Linguetta SB90 135 155	Tongue	Languette	Zunge	Lengüeta
8	2006017500	Perno	Pin	Pivot	Bolzen	Perno
9	9050450900	Supporto	Support	Support	Halterung	Soporte
10	3010027000	Sensore Magnetico	Magnetic sensor	Capteur magnétique	Magnetsensor	Sensor magnético
11	9039534000	Coibentazione	Insulation	Isolation	Isolierung	Aislamiento térmico
12	9016312000	Sportello bocca	Outlet door	Porte-bouche	Tür Auswurf	Puerta de la boca
13	3010027500	Magnete	Magneto	Magnéto	Magnet	Imán
14	9030377000	Coperchio bocca	Outlet cover	Couvercle bouche	Auswurfdeckel	Tapa de la boca
15	9020330000	Clip	Clip	Clip	Klammer	Grapa
16	9020362000	Boccola	Bush	Douille	Büchse	Casquillo
17	9020320000	Perno	Pin	Pivot	Bolzen	Perno
18	9050370000	Coltello	Cutter	Couteau	Eismesser	Cuchilla
19	2010051000	O Ring 3225	O Ring	O Ring	O Ring	Anillo tórico
20	9050326000	Flangia SB90 135 155	Flange	Bride	Flansch	Brida
21	3001010000	Motore	Motor	Moteur	Motor	Motor
22	2001015600	Riduttore SB90 135 155	Gear	Réducteur	Getriebe	Reductor
23	2002010000	Ghiera SB90 135 155	Union lier	Douille	Anschlussstück	Virola
24		Evaporatore SB90 135 155	Evaporator	Evaporateur	Verdampfer	Evaporador
25	9030371000	Bocca Scarico SB90 135 155	Ice outlet	Bouche d'évacuation	Eiswurf	Boca de descarga
26	9086666500	Evap. Isolato SB90 135 155	Insulated evaporator	Evaporateur isolé	Isolierter Verdampfer	Evaporador aislado
27	9086691300	Evaporatore completo SB90 135 155	Evaporator assy	Evaporateur complet	Kompletter Verdampfer	Evaporador completo
28	9087016000	Vaschetta acqua	Water tank	Cuvette d'eau	Wasserwanne	Cuba del agua
29	9016077000	Supporto scorrevole	Sliding support	Support coulissant	Gleithalterung	Soporte corredizo
30	9016516000	Supporto	Support	Support	Halterung	Soporte
31	9050462000	Portagomma	Hose fitting	embout	Gummihalterung	Portatubo
32	3010314000	Micro	Microswitch	Micro	Mikroschalter	Micro
33	4063018500	Galleggiante	float	flotteur	Schwimmer	Flotación
34	4063016500	Tenuta	Seal	Etanchéité	Dichtung	Retén

TAV.1

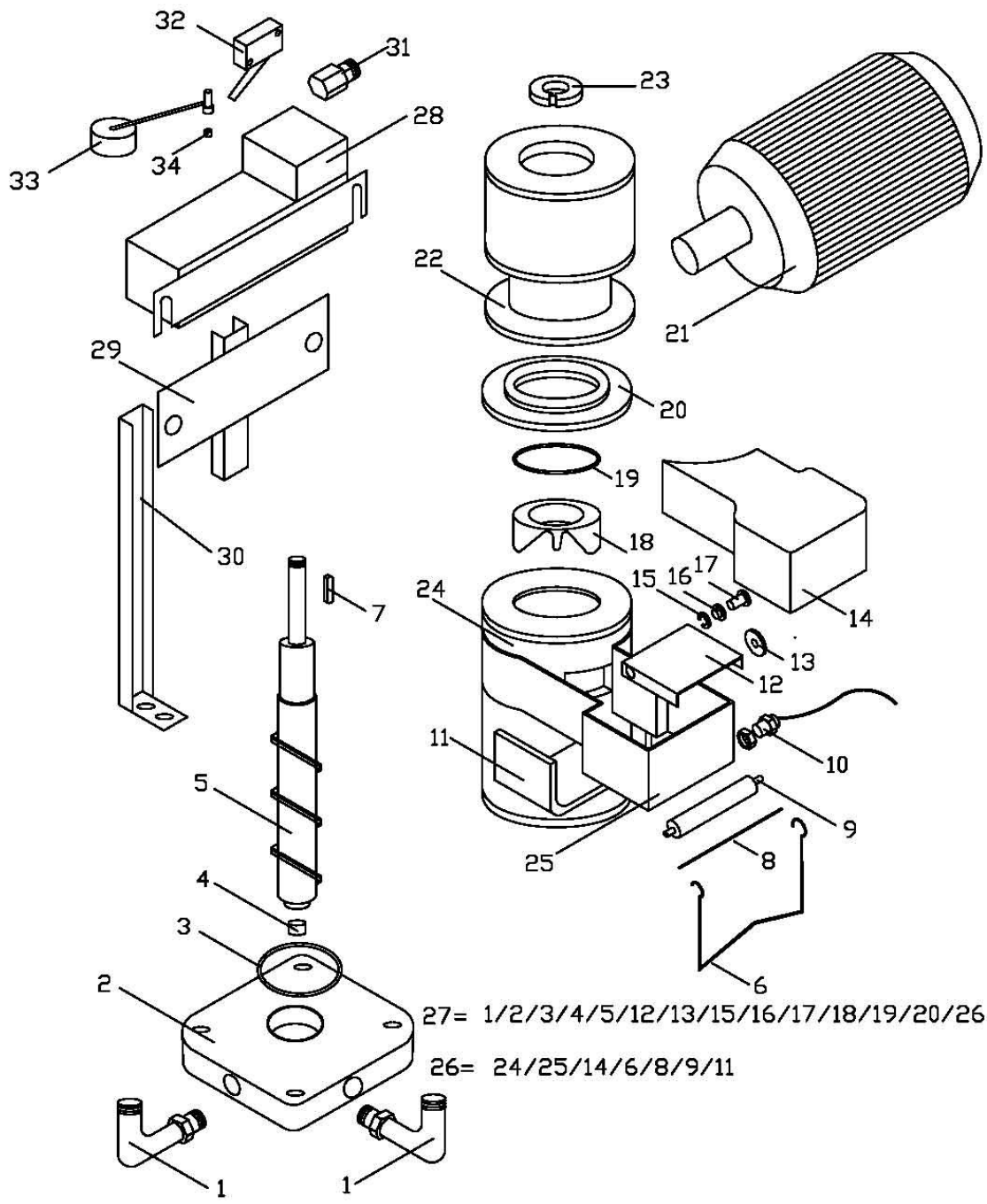


SG135

TAV.2

POS.	COD.	Denominazione	Denomination	Denominacion	Bezeichnung	Denomination
1	4041301500	Portagomma	Hose fitting	embout	Gummihalterung	Portatubo
2	9050360000	Base evaporatore	Evaporator base	Base évaporateur	Untergestell Verdampfer	Base del evaporador
3	2010061500	O Ring 3175	O Ring	O Ring	O Ring	Anillo tórico
4	9050412000	Boccola Coclea	Bush endless screw	Douille vis sans fin	Schneckenbüchse	Casquillo del tornillo sin fin
5	9050403000	Coclea SB230	Endless screw	Vis sans fin	Schnecke	Tornillo sin fin
6	2006017000	Molla	Spring	Ressort	Feder	Muelle
7	2004045000	Linguetta SB230	Tongue	Languette	Zunge	Lengüeta
8	2006017500	Perno	Pin	Pivot	Bolzen	Perno
9	9050450900	Supporto	Support	Support	Halterung	Soporte
10	3010027000	Sensore Magnetico	Magnetic sensor	Capteur magnétique	Magnetsensor	Sensor magnético
11	9039534000	Coibentazione	Insulation	Isolation	Isolierung	Aislamiento térmico
12	9016312000	Sportello bocca	Outlet door	Porte-bouche	Tür Auswurf	Puerta de la boca
13	3010027500	Magnete	Magneto	Magnéto	Magnet	Imán
14	9030377000	Coperchio bocca	Outlet cover	Couvercle bouche	Auswurfdeckel	Tapa de la boca
15	9020330000	Clip	Clip	Clip	Klammer	Grapa
16	9020362000	Boccola	Bush	Douille	Büchse	Casquillo
17	9020320000	Perno	Pin	Pivot	Bolzen	Perno
18	9050370000	Coltello	Cutter	Couteau	Eismesser	Cuchilla
19	2010051000	O Ring 3225	O Ring	O Ring	O Ring	Anillo tórico
20	9050324000	Flangia SB230	Flange	Bride	Flansch	Brida
21	3001010000	Motore	Motor	Moteur	Motor	Motor
22	2001018600	Riduttore SB230	Gear	Réducteur	Getriebe	Reductor
23	2002011000	Ghiera SB230	Union lier	Douille	Anschlussstück	Virola
24		Evaporatore SB230	Evaporator	Evaporateur	Verdampfer	Evaporador
25	9030371000	Bocca Scarico SB230	Ice outlet	Bouche d'évacuation	Eisauwurf	Boca de descarga
26	9086667500	Evap. Isolato SB230	Insulated evaporator	Evaporateur isolé	Isolierter Verdampfer	Evaporador aislado
27	9086692300	Evaporatore completo SB230	Evaporator assy	Evaporateur complet	Kompletter Verdampfer	Evaporador completo
28	9087016000	Vaschetta acqua	Water tank	Cuvette d'eau	Wasserwanne	Cuba del agua
29	9016077000	Supporto scorrevole	Sliding support	Support coulissant	Gleithalterung	Soporte corredizo
30	9016516000	Supporto	Support	Support	Halterung	Soporte
31	9050462000	Portagomma	Hose fitting	embout	Gummihalterung	Portatubo
32	3010314000	Micro	Microswitch	Micro	Mikroschalter	Micro
33	4063018500	Galleggiante	float	flotteur	Schwimmer	Flotación
34	4063016500	Tenuta	Seal	Etanchéité	Dichtung	Retén

TAV.2

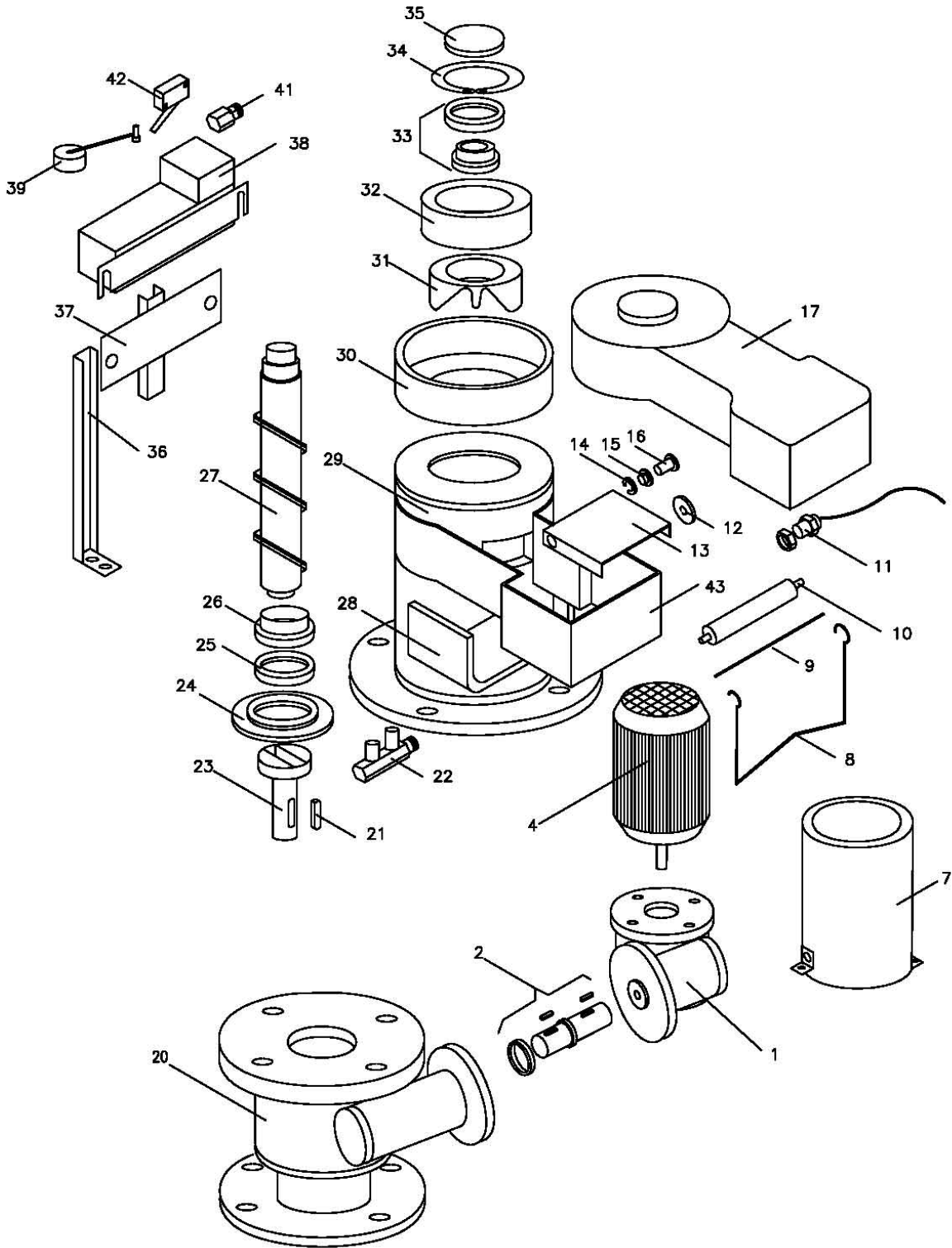


SG230

TAV.3

POS.	COD.	Denominazione	Denomination	Denominacion	Bezeichnung	Denomination
1	2001018800	Riduttore	Gear	Réducteur	Getriebe	Reductor
2	2001304000	Albero riduttore	Gear shaft	Arbre réducteur	Getriebewelle	Árbol del reductor
4	3001018000	Motore	Motor	Moteur	Motor	Motor
7	9092002000	Scarico completo	Drain assy.	Vidange complète	Kompletter Ablauf	Descarga completa
8	2006017000	Molla	Spring	Ressort	Feder	Muelle
9	2006017500	Perno	Pin	Pivot	Bolzen	Perno
10	9050450900	Supporto	Support	Support	Halterung	Soporte
11	3010027000	Sensore Magnetico	Magnetic sensor	Capteur magnétique	Magnetsensor	Sensor magnético
12	3010027500	Magnete	Magneto	Magnéto	Magnet	Imán
13	9016312000	Sportello bocca	Outlet door	Porte-bouche	Tür Auswurf	Puerta de la boca
14	9020330000	Clip	Clip	Clip	Klammer	Grapa
15	9020362000	Boccola	Bush	Douille	Büchse	Casquillo
16	9020320000	Perno	Pin	Pivot	Bolzen	Perno
17	9030379000	Coperchio bocca	Outlet cover	Couvercle bouche	Auswurfdeckel	Tapa de la boca
20	2001023100	Riduttore	Gear	Réducteur	Getriebe	Reductor
21	2004045000	Linguetta	Tongue	Languette	Zunge	Lengüeta
22	9078058000	GR. Raccordo acqua	Water inlet pipe	Groupe raccord d'eau	Baugruppe Wasseranschluss	Conjunto racor de agua
23	9050482100	Albero riduttore	Gear shaft	Arbre réducteur	Getriebewelle	Árbol del reductor
24	9050316000	Flangia tenuta	Seal flange	Bride d'étanchéité	Dichtungsflansch	Brida estanca
25	2011051000	Controfaccia	Counterface	Contre-face	Gegenseite	Contracara
26	2011050000	Tenuta	Seal	Etanchéité	Dichtung	Retén
27	9050404000	Coclea	Endless screw	Vis sans fin	Schnecke	Tornillo sin fin
28	9039534000	Coibentazione	Insulation	Isolation	Isolierung	Aislamiento térmico
29	9086668600	Evap. isolato	Insulated evaporator	Evaporateur isolé	Isolierter Verdampfer	Evaporador aislado
30	9050412500	Boccola	Bush	Douille	Büchse	Casquillo
31	9050373000	Coltello	Cutter	Couteau	Eismesser	Cuchilla
32	9050313100	Flangia cuscinetto	Sleeve bearing flange	Bride coussinette	Lagerbüchsenflansch	Brida del cojinete
33	9081103100	Gr cuscinetto+boccola	Sleeve bearing/Bush	Coussinet/Douille	Lagerbüchse/Büchse	Cojinete/Casquillo
34	9016077600	Seeger	Circlip	Circlip	Seegerring	Anillo Seeger
35	9050466400	Coperchio cuscinetto	Sleeve bearing cover	Couvercle coussinet	Lagerbüchsendeckel	Tapa del cojinete
36	9016516000	Supporto	Support	Support	Halterung	Soporte
37	9016077000	Supporto	Support	Support	Halterung	Soporte
38	9087016000	Vaschetta acqua	Water tank	Cuvette d'eau	Wasserwanne	Cuba del agua
39	4063018500	Galleggiante	float	flotteur	Schwimmer	Flotación
41	9050462000	Portagomma	Hose fitting	Embout	Gummihalterung	Portatubo
42	3010314000	Micro	Microswitch	Micro	Mikroschalter	Micro
43	9030373000	Bocca Scarico	Ice outlet	Bouche d'évacuation	Eiswurf	Boca de descarga
46	9086693400	Evaporatore completo	Evaporator assy	Evaporateur complet	Kompletter Verdampfer	Evaporador completo

TAV.3



45=10/17/22/28/29/43

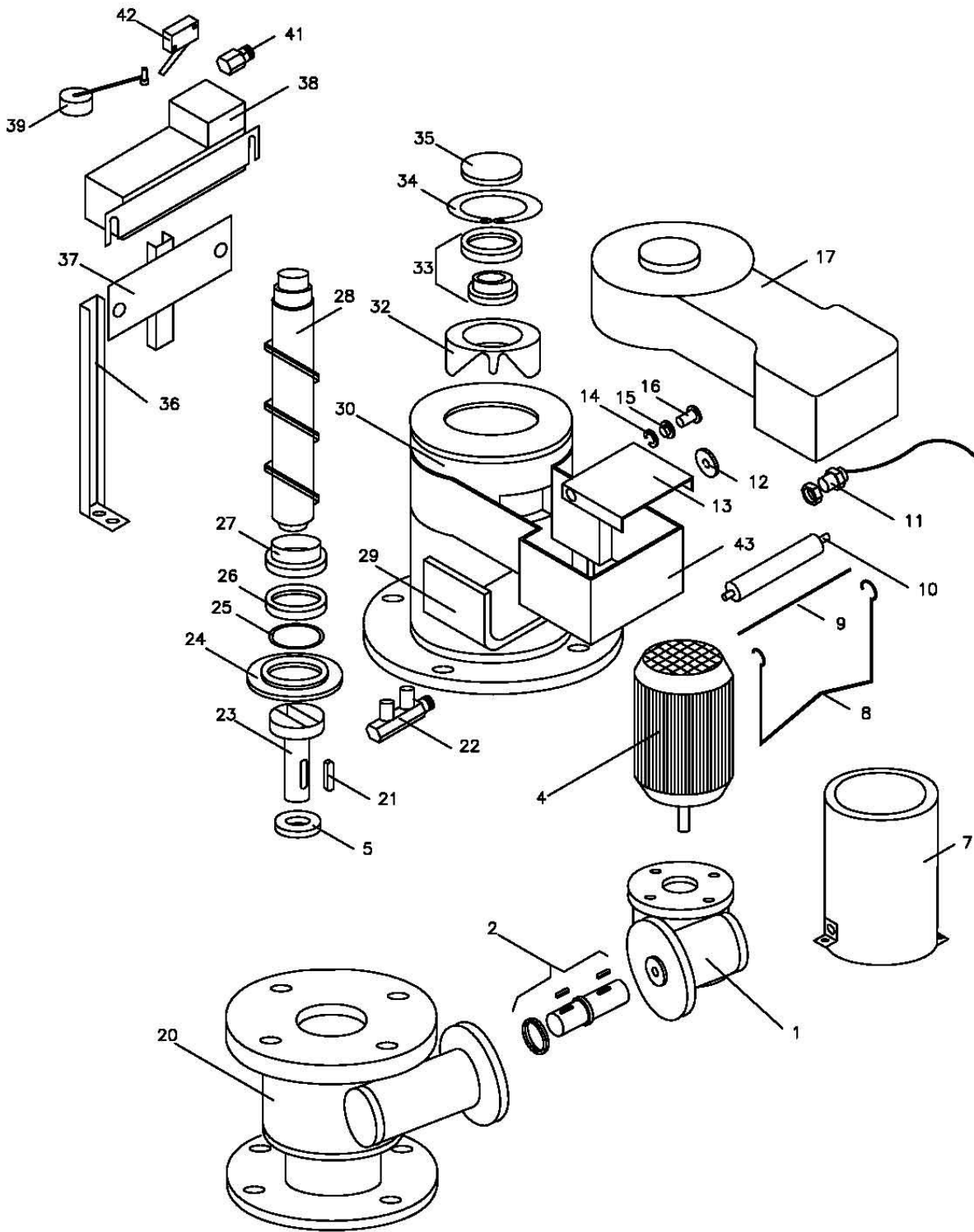
46=12/13/14/15/16/24/25/26/27/30/31/32/33/34/35/45

SG350

TAV.4

POS.	COD.	Denominazione	Denomination	Denominacion	Bezeichnung	Denomination
1	2001018800	Riduttore	Gear	Réducteur	Getriebe	Reductor
2	2001304000	Albero riduttore	Gear shaft	Arbre réducteur	Getriebewelle	Árbol del reductor
4	3001018000	Motore	Motor	Moteur	Motor	Motor
5	9050446100	Distanziale	Spacer	Entretoise	Distanzscheibe	Espaciador
7	9092003000	Scarico completo	Drain assy.	Vidange complète	Kompletter Ablauf	Descarga completa
8	2006017000	Molla	Spring	Ressort	Feder	Muelle
9	2006017500	Perno	Pin	Pivot	Bolzen	Perno
10	9050450900	Supporto	Support	Support	Halterung	Soporte
11	3010027000	Sensore Magnetico	Magnetic sensor	Capteur magnétique	Magnetsensor	Sensor magnético
12	3010027500	Magnete	Magneto	Magnéto	Magnet	Imán
13	9016313000	Sportello bocca	Outlet door	Porte-bouche	Tür Auswurf	Puerta de la boca
14	9020330000	Clip	Clip	Clip	Klammer	Grapa
15	9020362000	Boccola	Bush	Douille	Büchse	Casquillo
16	9020320000	Perno	Pin	Pivot	Bolzen	Perno
17	9030381000	Coperchio bocca	Outlet cover	Couvercle bouche	Auswurfdeckel	Tapa de la boca
20	2001029100	Riduttore	Gear	Réducteur	Getriebe	Reductor
21	2004045000	Linguetta	Tongue	Languette	Zunge	Lengüeta
22	9078058000	GR. Raccordo acqua	Water inlet pipe	Groupe raccord d'eau	Baugruppe Wasseranschluss	Conjunto racor de agua
23	9050482100	Albero riduttore	Gear shaft	Arbre réducteur	Getriebewelle	Árbol del reductor
24	9050318000	Flangia tenuta	Seal flange	Bride d'étanchéité	Dichtungsflansch	Brida estanca
25	2010028000	O Ring	O Ring	O Ring	O Ring	Anillo tórico
26	2011051000	Controfaccia	Counterface	Contre-face	Gegenseite	Contracara
27	2011050000	Tenuta	Seal	Etanchéité	Dichtung	Retén
28	9050405000	Coclea	Endless screw	Vis sans fin	Schnecke	Tornillo sin fin
29	9039534000	Coibentazione	Insulation	Isolation	Isolierung	Aislamiento térmico
30	9086669500	Evap. isolato	Insulated evaporator	Evaporateur isolé	Isolierter Verdampfer	Evaporador aislado
32	9050374000	Coltello	Cutter	Couteau	Eismesser	Cuchilla
33	9081104000	Gr cuscinetto+boccola	Sleeve bearing/Bush	Coussinet/Douille	Lagerbüchse/Büchse	Cojinete/Casquillo
34	9016077600	Seeger	Circlip	Circlip	Seegerring	Anillo Seeger
35	9050466400	Coperchio cuscinetto	Sleeve bearing cover	Couvercle coussinet	Lagerbüchsendeckel	Tapa del cojinete
36	9016516000	Supporto	Support	Support	Halterung	Soporte
37	9016077000	Supporto	Support	Support	Halterung	Soporte
38	9087016000	Vaschetta acqua	Water tank	Cuvette d'eau	Wasserwanne	Cuba del agua
39	4063018500	Galleggiante	float	flotteur	Schwimmer	Flotación
41	9050462000	Portagomma	Hose fitting	Embout	Gummihalterung	Portatubo
42	3010314000	Micro	Microswitch	Micro	Mikroschalter	Micro
43	9030375000	Bocca Scarico	Ice outlet	Bouche d'évacuation	Eiswurf	Boca de descarga
46	9086694300	Evaporatore completo	Evaporator assy	Evaporateur complet	Kompletter Verdampfer	Evaporador completo

TAV.4



45=10/17/22/29/30/43

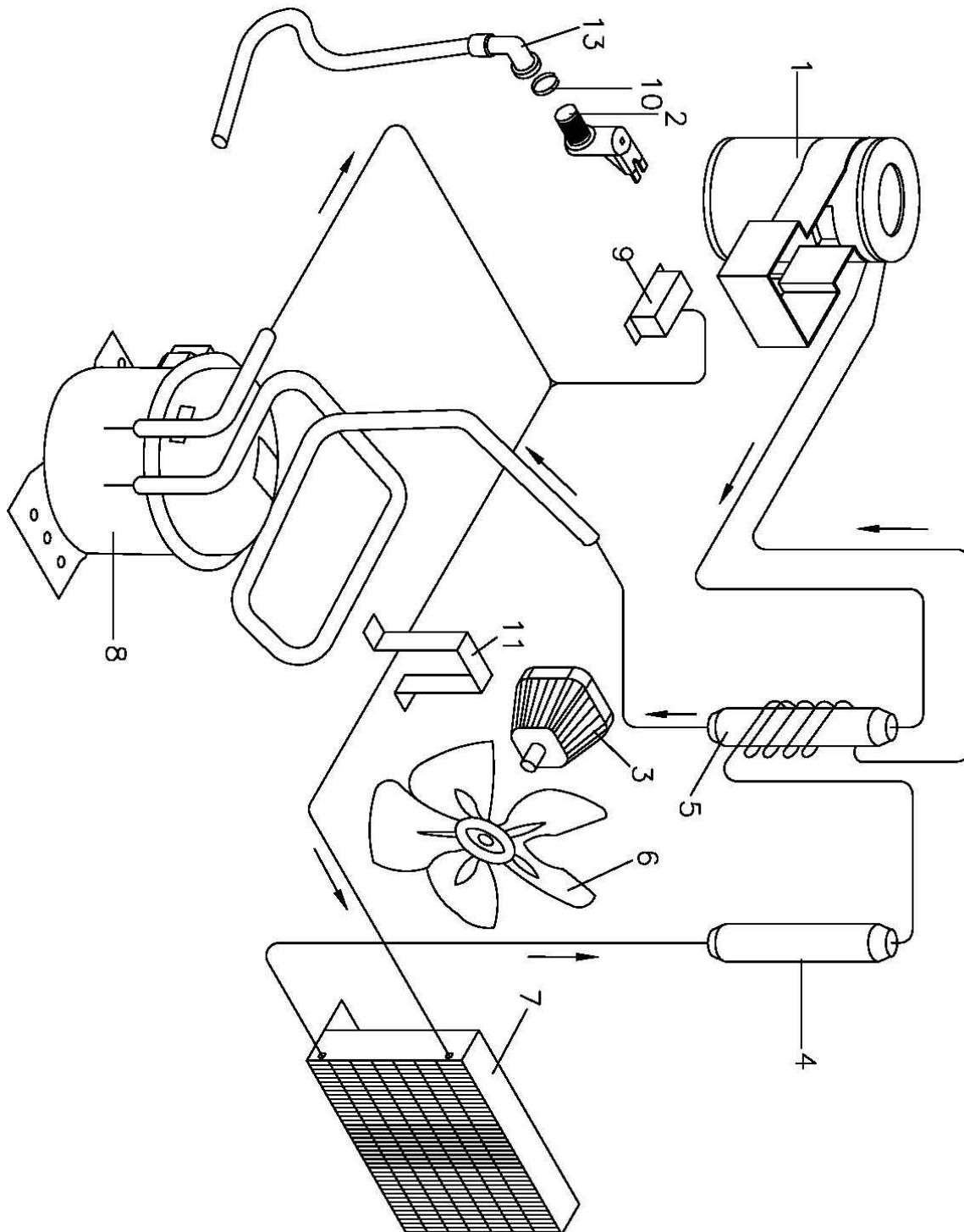
46=12/13/14/15/16/24/25/26/27/28/31/32/33/34/35/45

SG600 SG1100

TAV.5

POS.	COD.	Denominazione	Denomination	Denominacion	Bezeichnung	Denomination
1	9086666500	Evap. isolato	Insulated evaporator	Evaporateur isolé	Isolierter Verdampfer	Evaporador aislado
2	4012012000	Elettrovalvola	Electrovalve	Electrovalve	Magnetventil	Electroválvula
3	3003021000	Motoventilatore	Motor fan	Motoventilateur	Motorventilator	Motoventilador
4	4008014000	Filtro	Filter	Filtre	Filter	Filtro
5	4009038000	Boiler con capillari	Boyley with capillaries	Chauffe-eau avec tubes capillaires	Boiler mit Kapillaren	Calentador con capilares
6	4005019000	Ventola	Fan	Hélice de ventilation	Flügelrad	Ventilador
7	4003026000	Condensatore	Condenser	Condenseur	Kondensator	Condensador
8	4001019100	Compressore	Compressor	Compresseur	Kompressor	Compresor
9	4006013000	Pressostato	Pressure switch	Pressostat	Druckwächter	Presóstato
10	9054500000	Guarnizione 3/4"	Gasket 3/4"	Joint 3/4"	Dichtung 3/4"	Junta 3/4"
11	3003230000	Staffa	Bracket	Etrier	Bügel	Soporte
13	5271116900	Tubo carico				

TAV.5

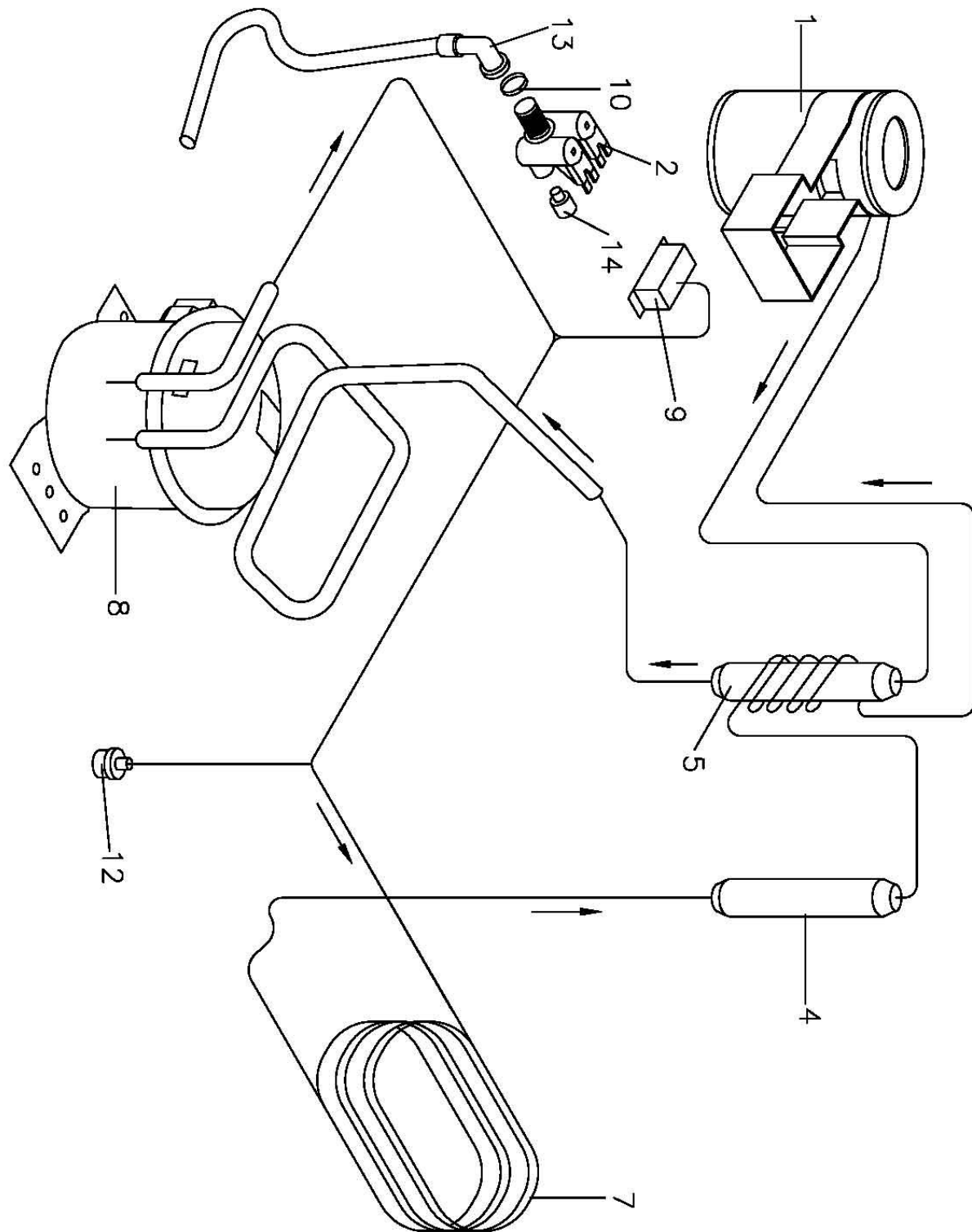


SG135 A

TAV.6

POS.	COD.	Denominazione	Denomination	Denominacion	Bezeichnung	Denomination
1	9086666500	Evap. isolato	Insulated evaporator	Evaporateur isolé	Isolierter Verdampfer	Evaporador aislado
2	4012022000	Elettrovalvola	Electrovalve	Electrovalve	Magnetventil	Electroválvula
4	4008014000	Filtro	Filter	Filtre	Filter	Filtro
5	4009038000	Boiler con capillari	Boyley with capillaries	Chauffe-eau avec tubes capillaires	Boiler mit Kapillaren	Calentador con capilares
7	9086532900	Condensatore	Condenser	Condenseur	Kondensator	Condensador
8	4001019100	Compressore	Compressor	Compresseur	Kompressor	Compresor
9	4006013000	Pressostato	Pressure switch	Pressostat	Druckwächter	Presóstato
10	9054500000	Guarnizione 3/4"	Gasket 3/4"	Joint 3/4"	Dichtung 3/4"	Junta 3/4"
12	4006011000	Pressostato	Pressure switch	Pressostat	Druckwächter	Presóstato
13	5271116900	Tubo carico				
14	4012008000	Riduttore di portata	Flowcontrol	Réducteur de débit	Durchsatzreduzierer	Reductor de flujo

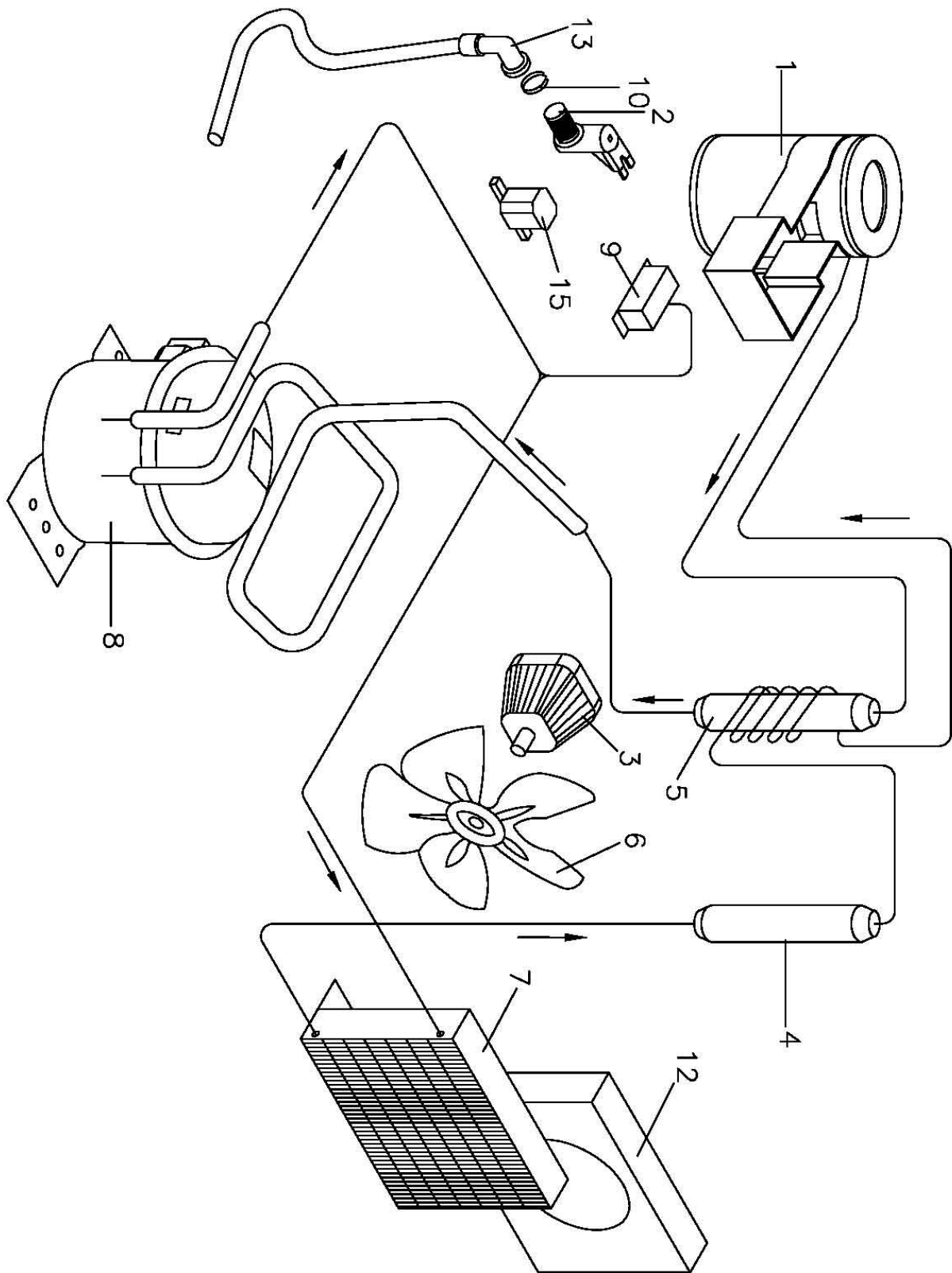
TAV.6



SG135 W

TAV.7

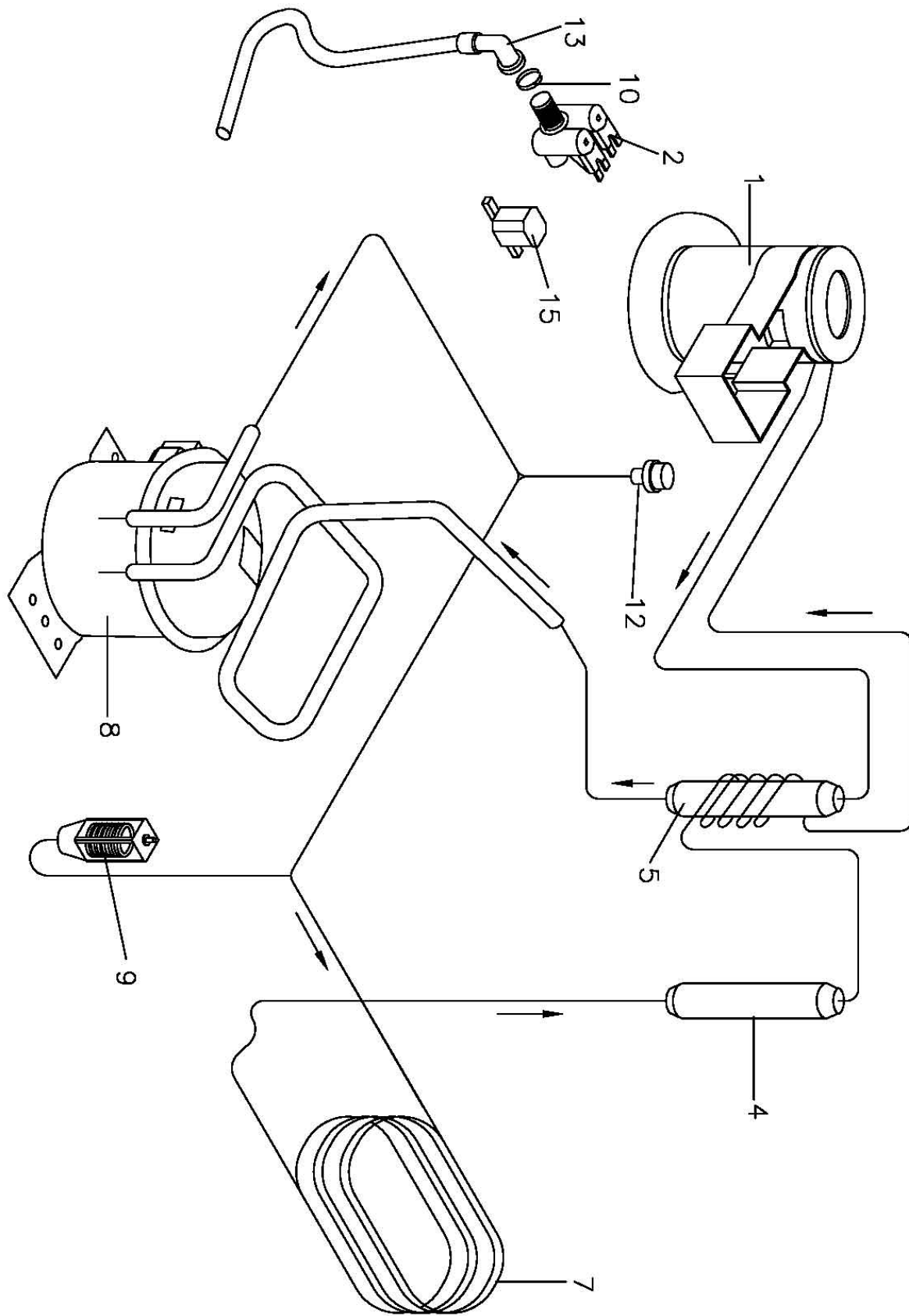
POS.	COD.	Denominazione	Denomination	Denominacion	Bezeichnung	Denomination
1	9086667500	Evap. isolato	Insulated evaporator	Evaporateur isolé	Isolierter Verdampfer	Evaporador aislado
2	4012012000	Elettrovalvola	Electrovalve	Electrovalve	Magnetventil	Electroválvula
3	3003070000	Motoventilatore	Motor fan	Motoventilateur	Motorventilator	Motoventilador
4	4008014000	Filtro	Filter	Filtre	Filter	Filtro
5	4009042000	Boiler con capillari	Boyley with capillaries	Chauffe-eau avec tubes capillaires	Boiler mit Kapillaren	Calentador con capilares
6	4005022000	Ventola	Fan	Hélice de ventilation	Flügelrad	Ventilador
7	4003038000	Condensatore	Condenser	Condenseur	Kondensator	Condensador
8	4001027300	Compressore	Compressor	Compresseur	Kompressor	Compresor
9	4006013000	Pressostato	Pressure switch	Pressostat	Druckwächter	Presóstato
10	9054500000	Guarnizione 3/4"	Gasket 3/4"	Joint 3/4"	Dichtung 3/4"	Junta 3/4"
12	4003902000	Convogliatore				
13	5271116900	Tubo carico				
15	4012035000	Elettrovalvola scarico	Electrovalve	Electrovalve	Magnetventil	Electroválvula



SG230 A

TAV.8

POS.	COD.	Denominazione	Denomination	Denominacion	Bezeichnung	Denomination
1	9086667500	Evap. isolato	Insulated evaporator	Evaporateur isolé	Isolierter Verdampfer	Evaporador aislado
2	4012022000	Elettrovalvola	Electrovalve	Electrovalve	Magnetventil	Electroválvula
4	4008014000	Filtro	Filter	Filtre	Filter	Filtro
5	4009042000	Boiler con capillari	Boiler with capillaries	Chauffe-eau avec tubes capillaires	Boiler mit Kapillaren	Calentador con capilares
7	9086543900	Condensatore	Condenser	Condenseur	Kondensator	Condensador
8	4001027300	Compressore	Compressor	Compresseur	Kompressor	Compresor
9	4006510000	Valvola pressostatica	Pressure switch valve	Valve pressostat	Druckwächterventil	Válvula presostática
10	9054500000	Guarnizione 3/4"	Gasket 3/4"	Joint 3/4"	Dichtung 3/4"	Junta 3/4"
12	4006011000	Pressostato	Pressure switch	Pressostat	Druckwächter	Presóstato
13	5271116900	Tubo carico				
15	4012035000	Elettrovalvola scarico	Electrovalve	Electrovalve	Magnetventil	Electroválvula



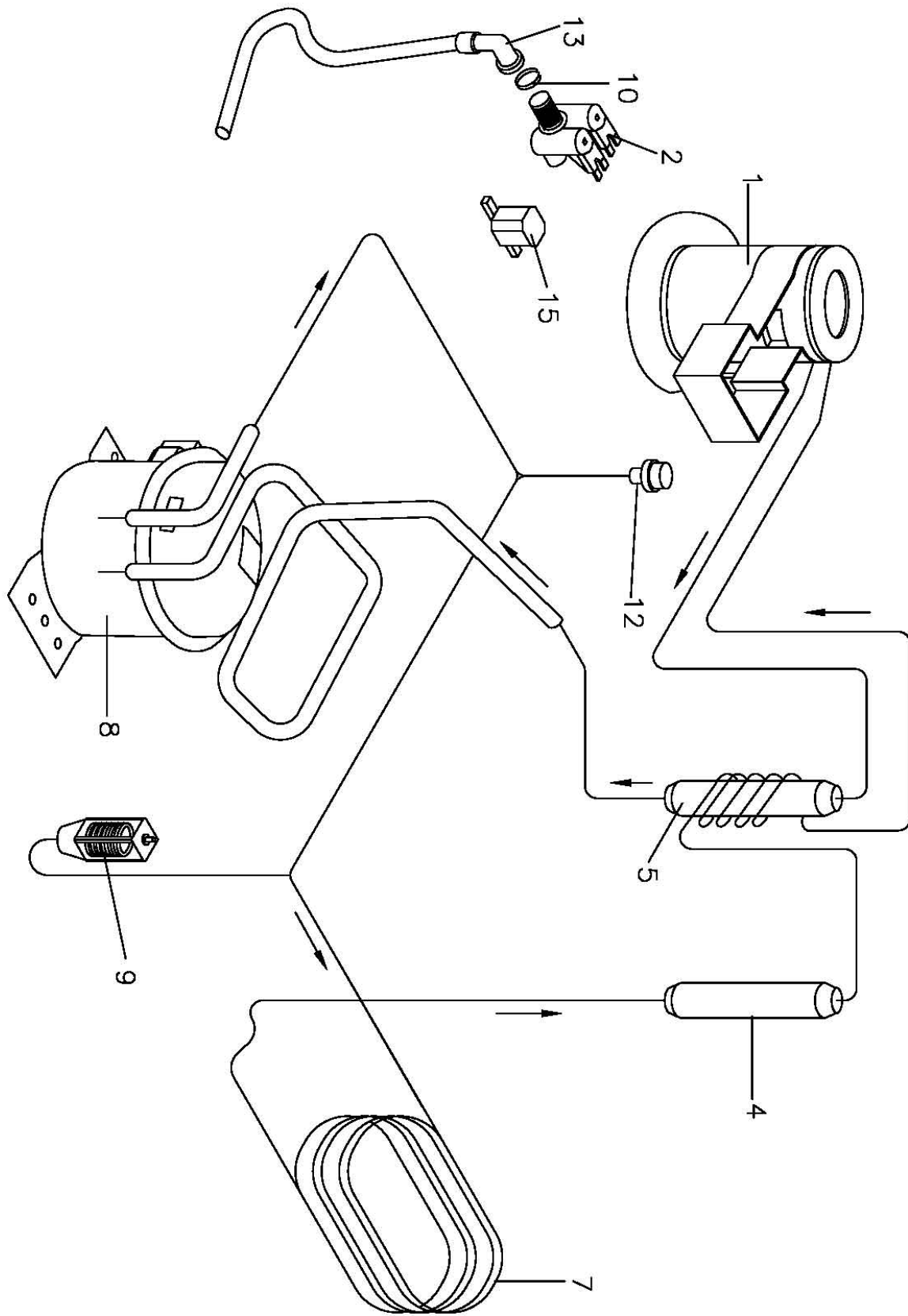
SG230 W

TAV.9

POS.	COD.	Denominazione	Denomination	Denominacion	Bezeichnung	Denomination
1	9086668600	Evap. isolato	Insulated evaporator	Evaporateur isolé	Isolierter Verdampfer	Evaporador aislado
2	4012012000	Elettrovalvola	Electrovalve	Electrovalve	Magnetventil	Electroválvula
3	3003070000	Motoventilatore	Motor fan	Motoventilateur	Motorventilator	Motoventilador
4	4008032000	Filtro	Filter	Filtre	Filter	Filtro
5	4009044000	Boiler con capillari	Boiler with capillaries	Chauffe-eau avec tubes capillaires	Boiler mit Kapillaren	Calentador con capilares
6	4005022000	Ventola	Fan	Hélice de ventilation	Flügelrad	Ventilador
7	4003044500	Condensatore	Condenser	Condenseur	Kondensator	Condensador
8	4001046500	Compressore	Compressor	Compresseur	Kompressor	Compresor
9	4006013000	Pressostato	Pressure switch	Pressostat	Druckwächter	Presóstato
10	9054500000	Guarnizione 3/4"	Gasket 3/4"	Joint 3/4"	Dichtung 3/4"	Junta 3/4"
12	3003910000	Griglia	Grille	Grille	Gitter	Rejilla
13	5271116900	Tubo carico				
15	4012035000	Elettrovalvola scarico	Electrovalve	Electrovalve	Magnetventil	Electroválvula

TAV.10

POS.	COD.	Denominazione	Denomination	Denominacion	Bezeichnung	Denomination
1	9086668600	Evap. isolato	Insulated evaporator	Evaporateur isolé	Isolierter Verdampfer	Evaporador aislado
2	4012022000	Elettrovalvola	Electrovalve	Electrovalve	Magnetventil	Electroválvula
4	4008032000	Filtro	Filter	Filtre	Filter	Filtro
5	4009044000	Boiler con capillari	Boyley with capillaries	Chauffe-eau avec tubes capillaires	Boiler mit Kapillaren	Calentador con capilares
7	4002013000	Condensatore	Condenser	Condenseur	Kondensator	Condensador
8	4001046500	Compressore	Compressor	Compresseur	Kompressor	Compresor
9	4006510000	Valvola pressostatica	Pressure switch valve	Valve pressostat	Druckwächterventil	Válvula presostática
10	9054500000	Guarnizione 3/4"	Gasket 3/4"	Joint 3/4"	Dichtung 3/4"	Junta 3/4"
12	4006011000	Pressostato	Pressure switch	Pressostat	Druckwächter	Presóstato
13	5271116900	Tubo carico				
15	4012035000	Elettrovalvola scarico	Electrovalve	Electrovalve	Magnetventil	Electroválvula

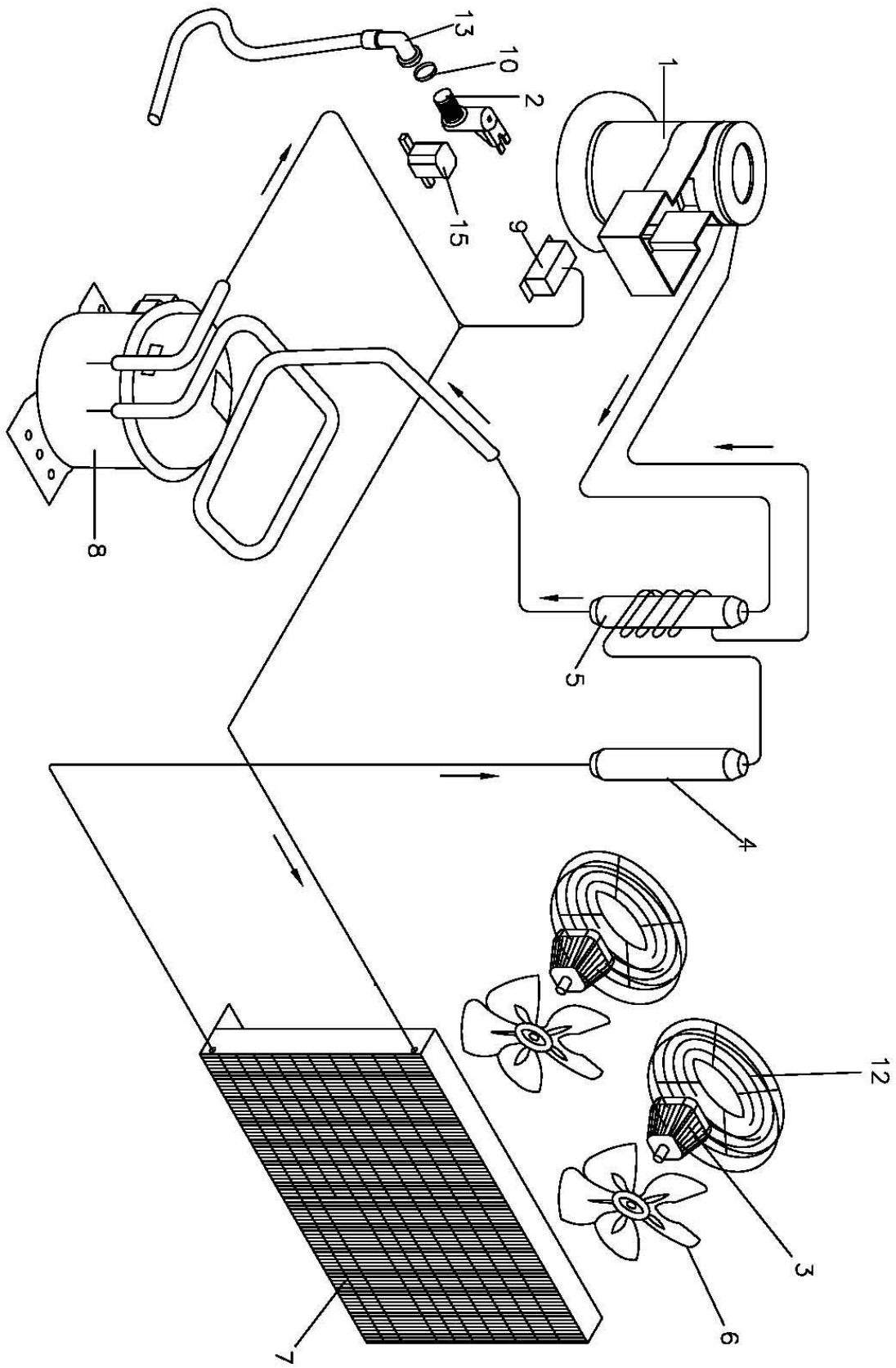


SG350W

TAV.11

POS.	COD.	Denominazione	Denomination	Denominacion	Bezeichnung	Denomination
1	9086669500	Evap. isolato	Insulated evaporator	Evaporateur isolé	Isolierter Verdampfer	Evaporador aislado
2	4012012000	Elettrovalvola	Electrovalve	Electrovalve	Magnetventil	Electroválvula
3	3003070000	Motoventilatore	Motor fan	Motoventilateur	Motorventilator	Motoventilador
4	4008032000	Filtro	Filter	Filtre	Filter	Filtro
5	4009050000	Boiler con capillari	Boyley with capillaries	Chauffe-eau avec tubes capillaires	Boiler mit Kapillaren	Calentador con capilares
6	4005022000	Ventola	Fan	Hélice de ventilation	Flügelrad	Ventilador
7	4003045000	Condensatore	Condenser	Condenseur	Kondensator	Condensador
8	4001049000	Compressore	Compressor	Compresseur	Kompressor	Compresor
9	4006013000	Pressostato	Pressure switch	Pressostat	Druckwächter	Presóstato
10	9054500000	Guarnizione 3/4"	Gasket 3/4"	Joint 3/4"	Dichtung 3/4"	Junta 3/4"
12	3003910000	Griglia	Grille	Grille	Gitter	Rejilla
13	5271116900	Tubo carico				
15	4012035000	Elettrovalvola scarico	Electrovalve	Electrovalve	Magnetventil	Electroválvula

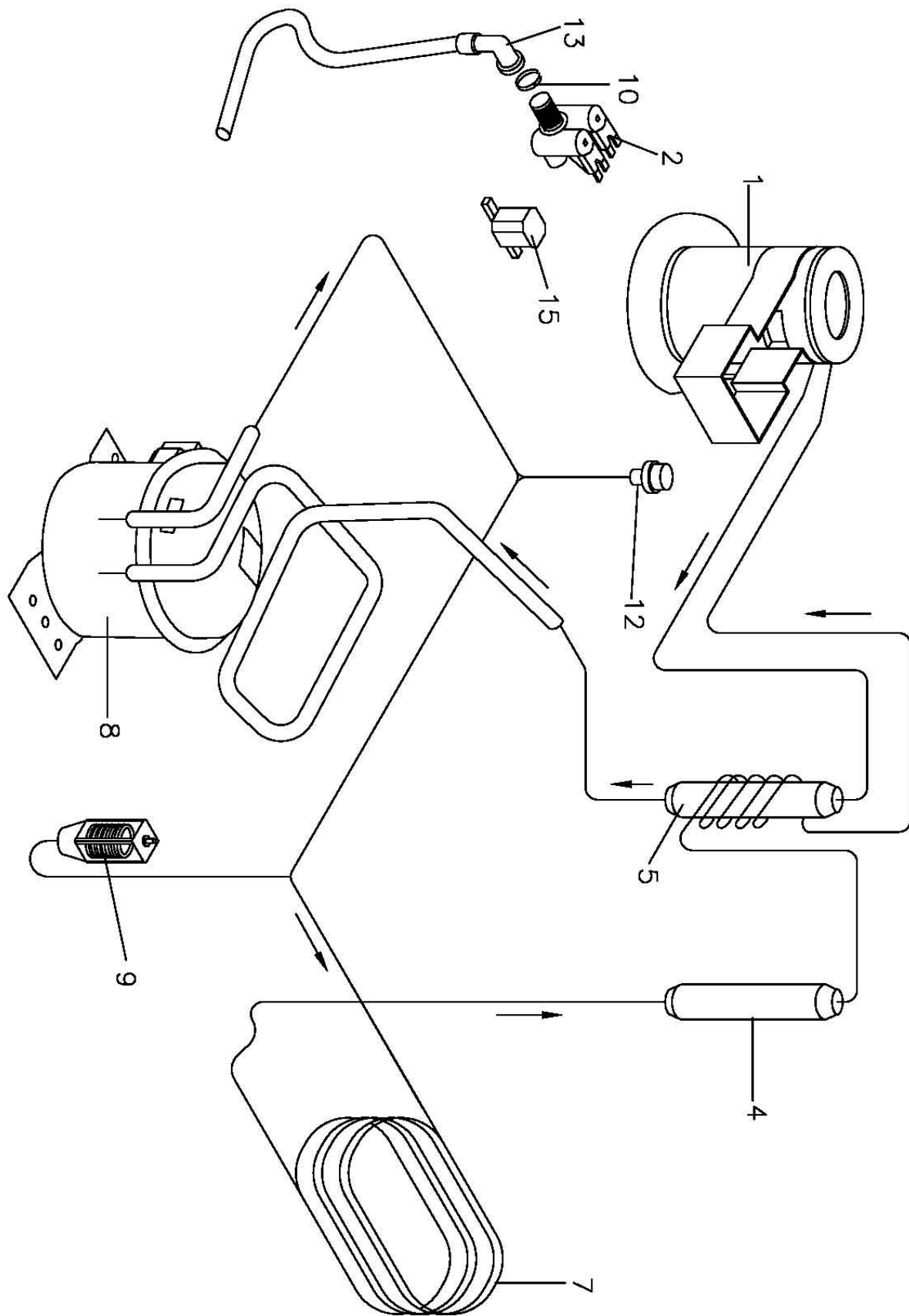
TAV.11



SG600 A

TAV.12

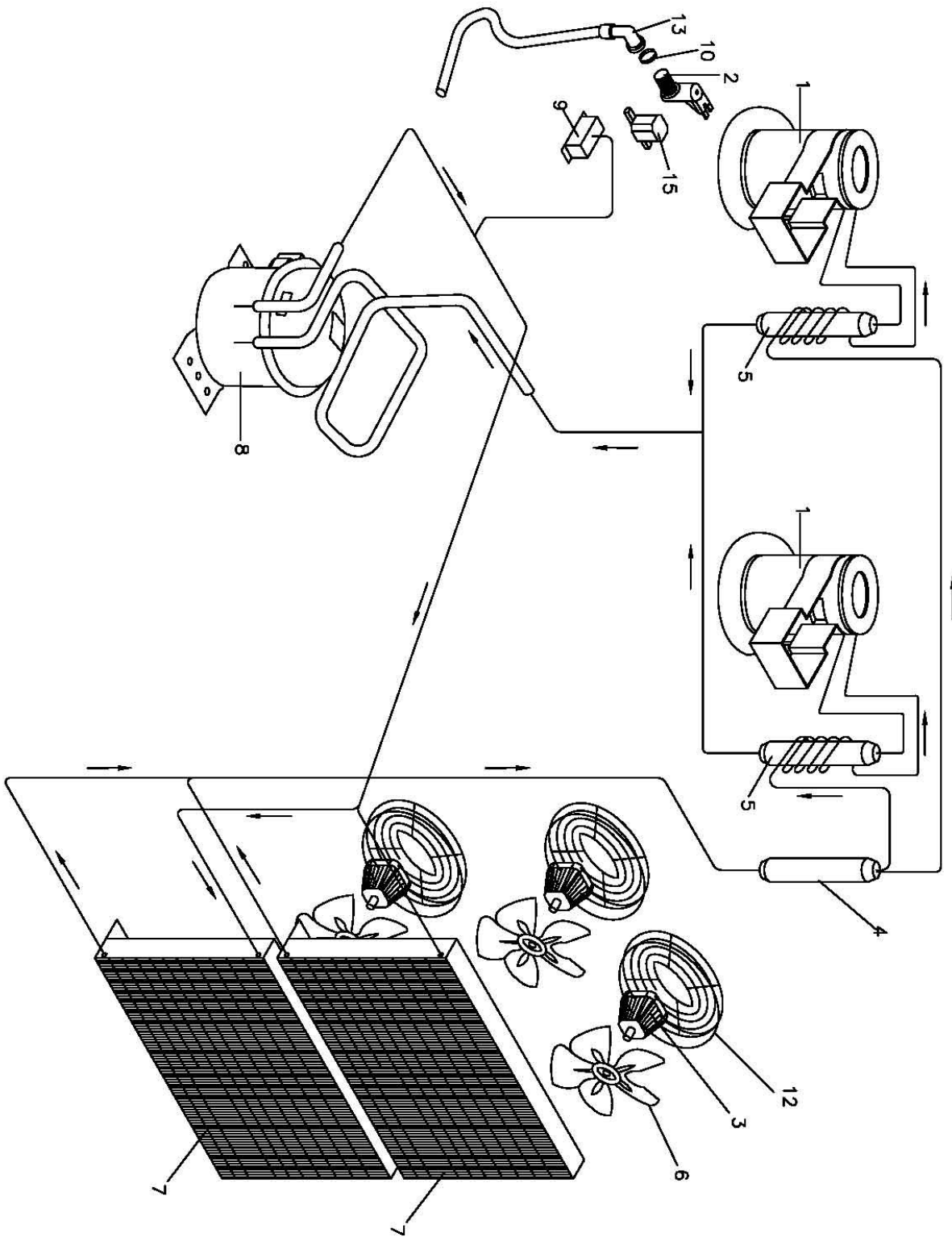
POS.	COD.	Denominazione	Denomination	Denominacion	Bezeichnung	Denomination
1	9086669500	Evap. isolato	Insulated evaporator	Evaporateur isolé	Isolierter Verdampfer	Evaporador aislado
2	4012022000	Elettrovalvola	Electrovalve	Electrovalve	Magnetventil	Electroválvula
4	4008032000	Filtro	Filter	Filtre	Filter	Filtro
5	4009050000	Boiler con capillari	Boiler with capillaries	Chauffe-eau avec tubes capillaires	Boiler mit Kapillaren	Calentador con capilares
7	4002013000	Condensatore	Condenser	Condenseur	Kondensator	Condensador
8	4001049000	Compressore	Compressor	Compresseur	Kompressor	Compresor
9	4006510000	Valvola pressostatica	Pressure switch valve	Valve pressostat	Druckwächterventil	Válvula presostática
10	9054500000	Guarnizione 3/4"	Gasket 3/4"	Joint 3/4"	Dichtung 3/4"	Junta 3/4"
12	4006011000	Pressostato	Pressure switch	Pressostat	Druckwächter	Presóstato
13	5271116900	Tubo carico				
15	4012035000	Elettrovalvola scarico	Electrovalve	Electrovalve	Magnetventil	Electroválvula



SG600 W

TAV.13

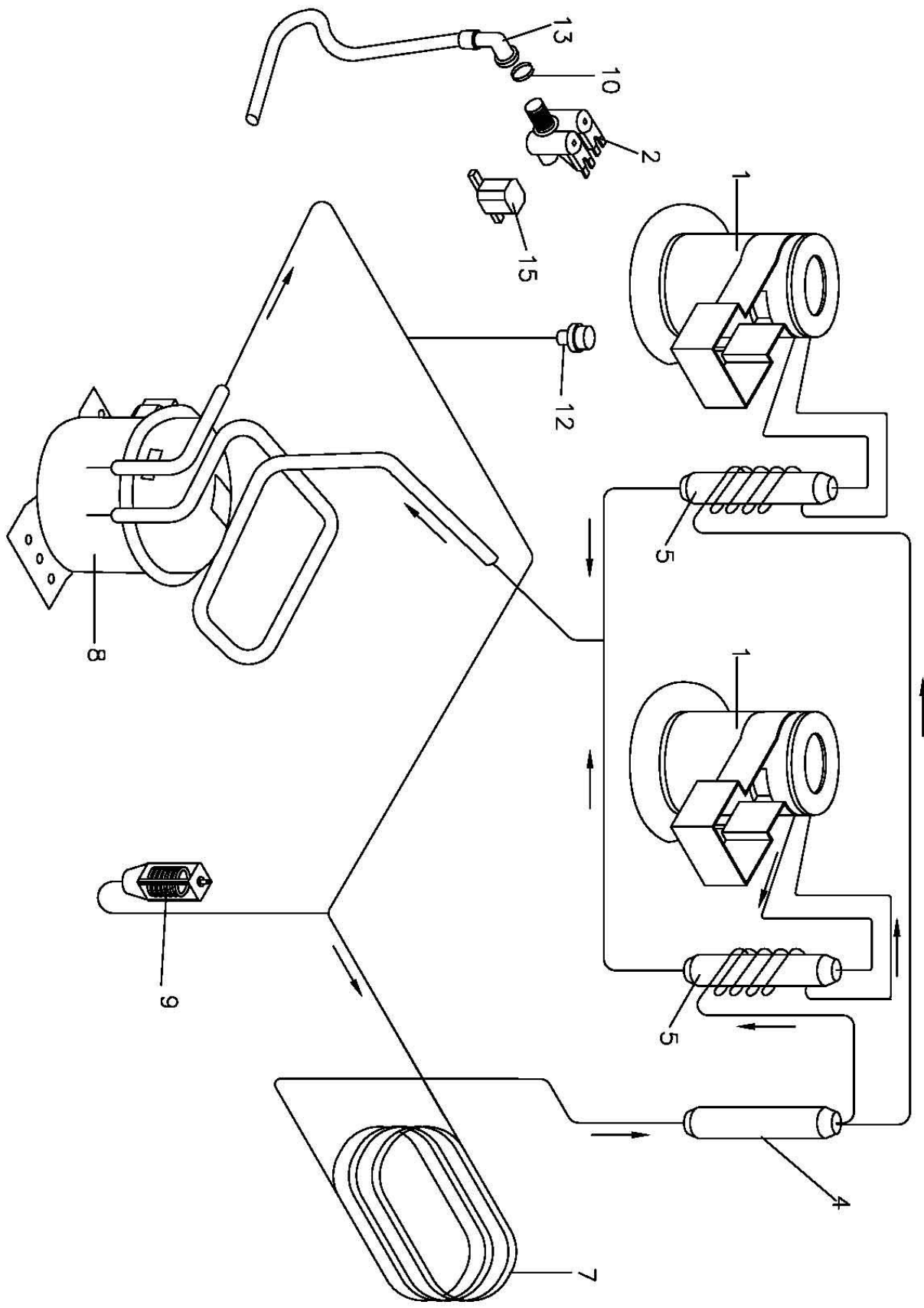
POS.	COD.	Denominazione	Denomination	Denominacion	Bezeichnung	Denomination
1	9086669500	Evap. isolato	Insulated evaporator	Evaporateur isolé	Isolierter Verdampfer	Evaporador aislado
2	4012012000	Elettrovalvola	Electrovalve	Electrovalve	Magnetventil	Electroválvula
3	3003070000	Motoventilatore	Motor fan	Motoventilateur	Motorventilator	Motoventilador
4	4008032000	Filtro	Filter	Filtre	Filter	Filtro
5	4009050000	Boiler con capillari	Boiler with capillaries	Chauffe-eau avec tubes capillaires	Boiler mit Kapillaren	Calentador con capilares
6	4005022000	Ventola	Fan	Hélice de ventilation	Flügelrad	Ventilador
7	4003045000	Condensatore	Condenser	Condenseur	Kondensator	Condensador
8	4001048000	Compressore	Compressor	Compresseur	Kompressor	Compresor
9	4006013000	Pressostato	Pressure switch	Pressostat	Druckwächter	Presóstato
9	4006510000	Valvola pressostatica	Pressure switch valve	Valve pressostat	Druckwächterventil	Válvula presostática
10	5271116900	Tubo carico				
12	3003910000	Griglia	Grille	Grille	Gitter	Rejilla
13	9054500000	Guarnizione 3/4"	Gasket 3/4"	Joint 3/4"	Dichtung 3/4"	Junta 3/4"
15	4012035000	Elettrovalvola scarico	Electrovalve	Electrovalve	Magnetventil	Electroválvula



SG1100 A

TAV.14

POS.	COD.	Denominazione	Denomination	Denominacion	Bezeichnung	Denomination
1	9086669500	Evap. isolato	Insulated evaporator	Evaporateur isolé	Isolierter Verdampfer	Evaporador aislado
2	4012022000	Elettrovalvola	Electrovalve	Electrovalve	Magnetventil	Electroválvula
4	4008032000	Filtro	Filter	Filtre	Filter	Filtro
5	4009050000	Boiler con capillari	Boiler with capillaries	Chauffe-eau avec tubes capillaires	Boiler mit Kapillaren	Calentador con capilares
7	4002015000	Condensatore	Condenser	Condenseur	Kondensator	Condensador
8	4001048000	Compressore	Compressor	Compresseur	Kompressor	Compresor
9	4006510000	Valvola pressostatica	Pressure switch valve	Valve pressostat	Druckwächterventil	Válvula presostática
10	9054500000	Guarnizione 3/4"	Gasket 3/4"	Joint 3/4"	Dichtung 3/4"	Junta 3/4"
12	4006011000	Pressostato	Pressure switch	Pressostat	Druckwächter	Presóstato
13	5271116900	Tubo carico				
15	4012035000	Elettrovalvola scarico	Electrovalve	Electrovalve	Magnetventil	Electroválvula

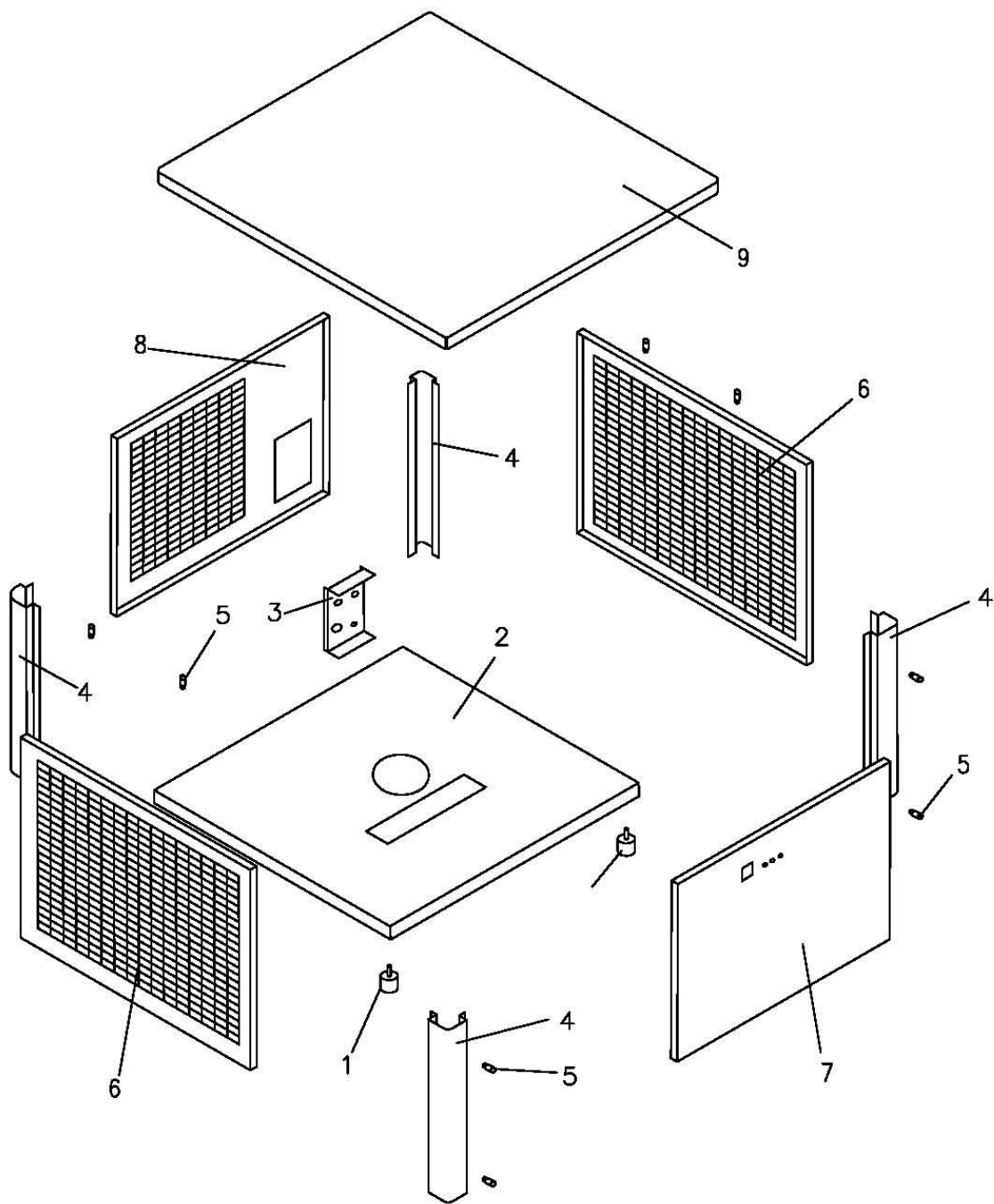


SG1100 W

TAV.15

POS.	COD.	Denominazione	Denomination	Denominacion	Bezeichnung	Denomination
1	2060112000	Piede	Foot	Pied	Fuß	Pie
2	9015057000	Base portacomponenti	Base	Base porte-composants	Untergestell Komponentenhalterung	Base de los elementos
3	9016041300	Supporto	Support	Support	Halterung	Soporte
4	9016192000	Montante	Upright	Montant	Ständer	Listón
5	3060331300	Distanziale	Spacer	Entretoise	Distanzscheibe	Espaciador
6	9015601000	Pannello	Panel	Panneau	Paneel	Panel
7	9015341500	Frontale	Front panel	Elément frontal	Frontpaneel	Panel frontal
8	9015601100	Pannello	Panel	Panneau	Paneel	Panel
9	9015422100	Coperchio	Cover	Couvercle	Deckel	Tapa

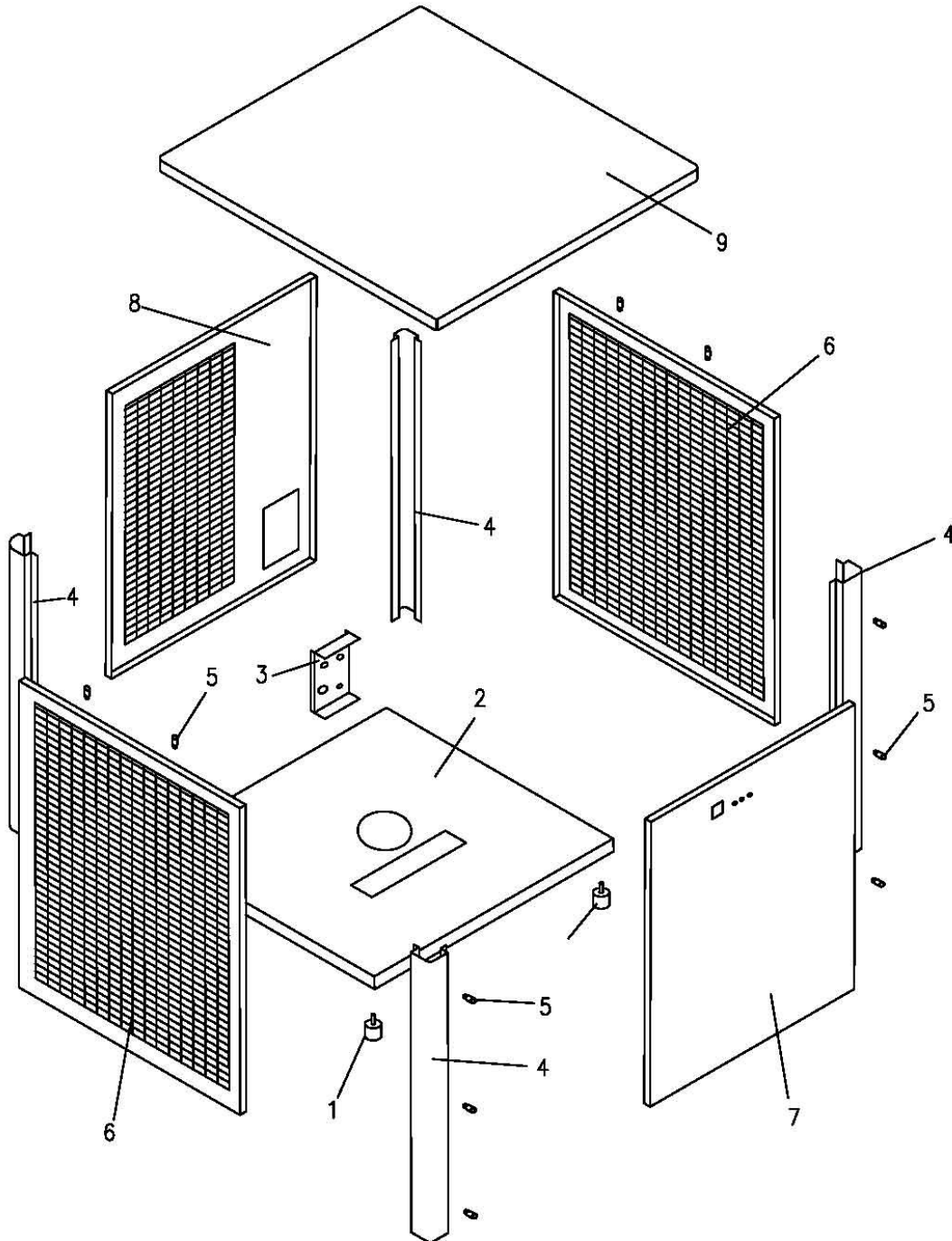
TAV.15



SG135 SG230

TAV.16

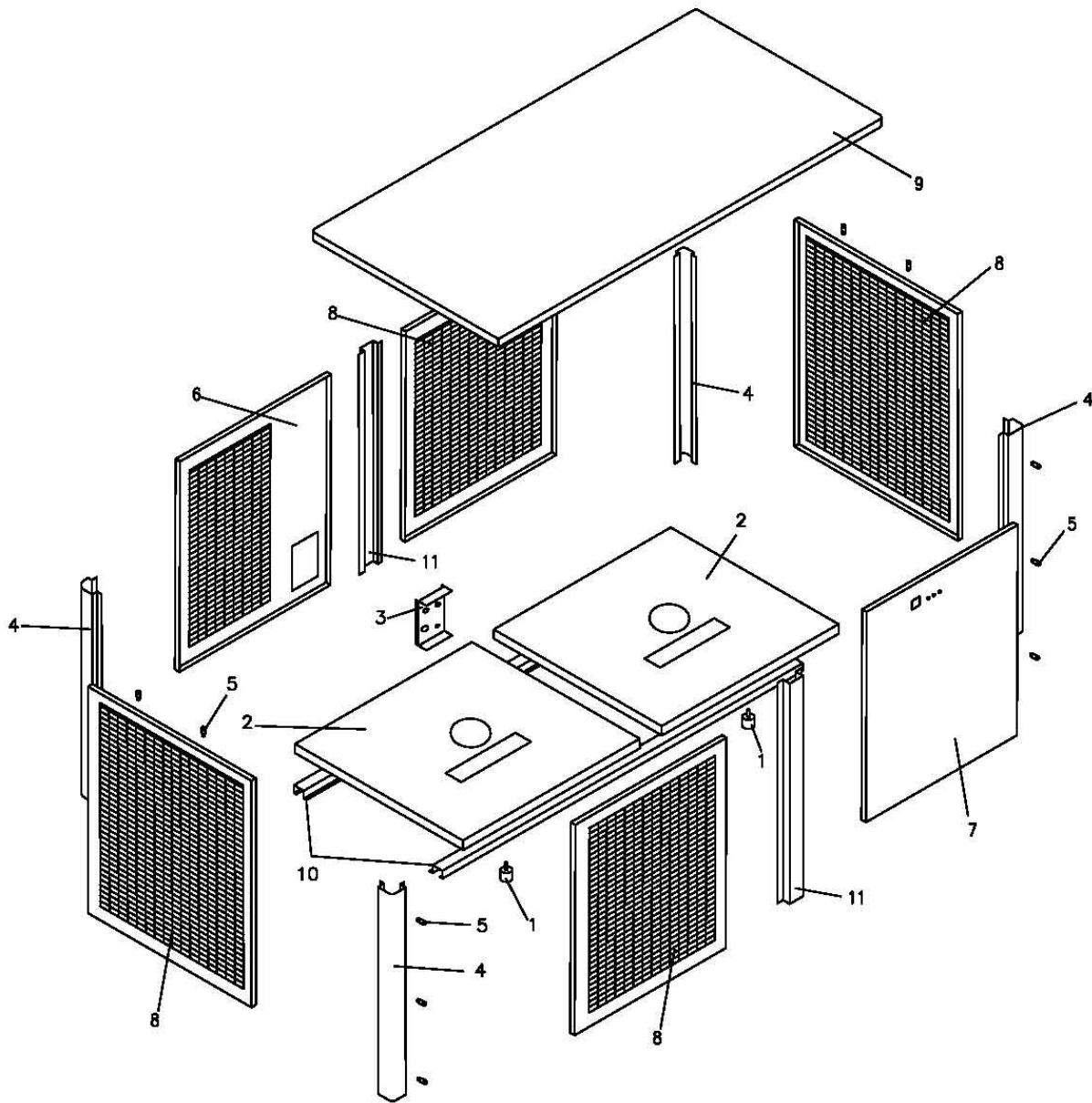
POS.	COD.	Denominazione	Denomination	Denominacion	Bezeichnung	Denomination
1	2060112000	Piede	Foot	Pied	Fuß	Pie
2	9015057000	Base portacomponenti	Base	Base porte-composants	Untergestell Komponentenhalterung	Base de los elementos
3	9016041300	Supporto	Support	Support	Halterung	Soporte
4	9016193000	Montante	Upright	Montant	Ständer	Listón
5	3060331300	Distanziale	Spacer	Entretoise	Distanzscheibe	Espaciador
6	9015602000	Pannello	Panel	Panneau	Paneel	Panel
7	9015341600	Frontale	Front panel	Elément frontal	Frontpaneel	Panel frontal
8	9015602100	Pannello	Panel	Panneau	Paneel	Panel
9	9015422100	Coperchio	Cover	Couvercle	Deckel	Tapa



SG350 SG600

TAV.17

POS.	COD.	Denominazione	Denomination	Denominacion	Bezeichnung	Denomination
1	2060112000	Piede	Foot	Pied	Fuß	Pie
2	9015057000	Base portacomponenti	Base	Base porte-composants	Untergestell Komponententhalterung	Base de los elementos
3	9016041300	Supporto	Support	Support	Halterung	Soporte
4	9016193000	Montante	Upright	Montant	Ständer	Listón
5	3060331300	Distanziale	Spacer	Entretoise	Distanzscheibe	Espaciador
6	9015602100	Pannello	Panel	Panneau	Paneel	Panel
7	9015341600	Frontale	Front panel	Elément frontal	Frontpaneel	Panel frontal
8	9015602000	Pannello	Panel	Panneau	Paneel	Panel
9	9015422200	Coperchio	Cover	Couvercle	Deckel	Tapa
10	9016195000	Longherone base	Base longeron	Element longitudinale de base	Querträger Untergestell	Larguero base
11	9016194000	Montante	Upright	Montant	Ständer	Listón



SG1100